

# SAFETY INSTRUCTIONS

## READ ALL INSTRUCTIONS BEFORE USE!

- **FOR ADULT USE ONLY. NOT TO BE OPERATED BY MINORS UNDER THE AGE OF 18.**
- **NEVER MODIFY OR ALTER YOUR AIRSOFT GUN.** Attempts to modify the airsoft gun in any way could make your airsoft gun unsafe to use, cause serious injury or death, and will void the warranty.
- Misuse of Airsoft Guns is dangerous and can cause serious injury or death. Always treat an Airsoft gun with the same respect you would towards a real firearm.

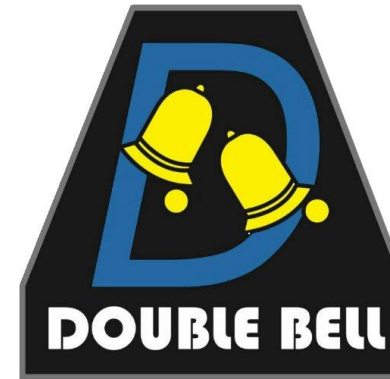
## SAFETY CONSIDERATIONS

- **NEVER** look into the gun's muzzle.
- **NEVER** point the Airsoft gun at anything you do not intend to shoot.
- **NEVER** shoot at targets that may cause the BB to bounce off, such as hard surface that could produce a ricochet.
- **ALWAYS** ensure the operator and everyone nearby are wearing appropriate eye protection.
- **ALWAYS** ensure the fire-selector is on "SAFE" until you are ready to shoot.
- **ONLY** shoot the airsoft gun in designated area, towards a safe direction, using a sufficient backstop.

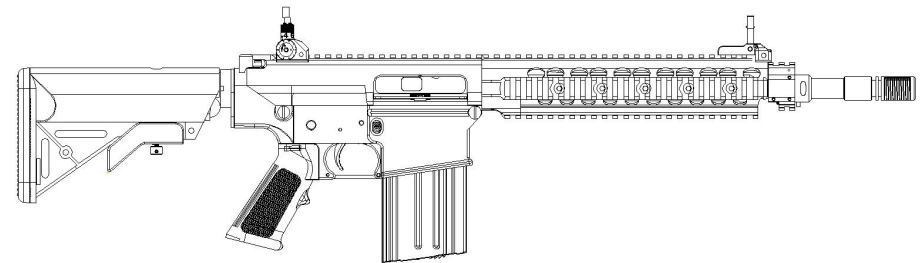


## GENERAL PRECAUTIONS

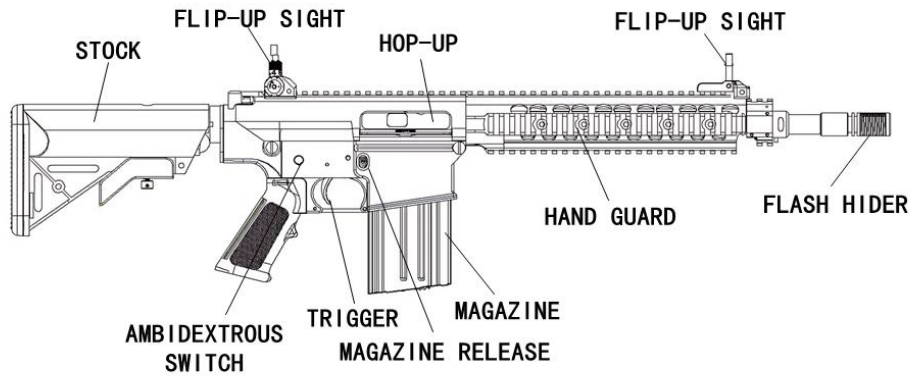
- This merchandise does not contain any internal components compatible or interchangeable with a real firearm.
- This merchandise cannot accept firing components from a real firearm, nor be able to chamber / fire real ammunition.
- This merchandise is designed to function solely with 6mm airsoft ammunition.  
**ONLY** use high-quality precision plastic BBs designed for 6mm Airsoft guns.
- **NEVER** reuse a BB that is dirty, has been shot from the gun, or otherwise deformed. Use of contaminated or imperfect BBs could damage your gun.
- **ALWAYS** transport Airsoft guns in it's original box or an appropriate gun case.  
**NEVER** carry the gun in plain sight.
- **ALWAYS** store the airsoft gun unloaded, and out of reach by children.
- Using unauthorized repair centers or modifying the function of your airsoft gun in any way may be unsafe and will void your warranty.
- The manufacturer, distributors, and retailers are not liable for any malfunction, accidents, injuries or repair cost resulting from misuse, or by disassembly and modification of the airsoft gun.



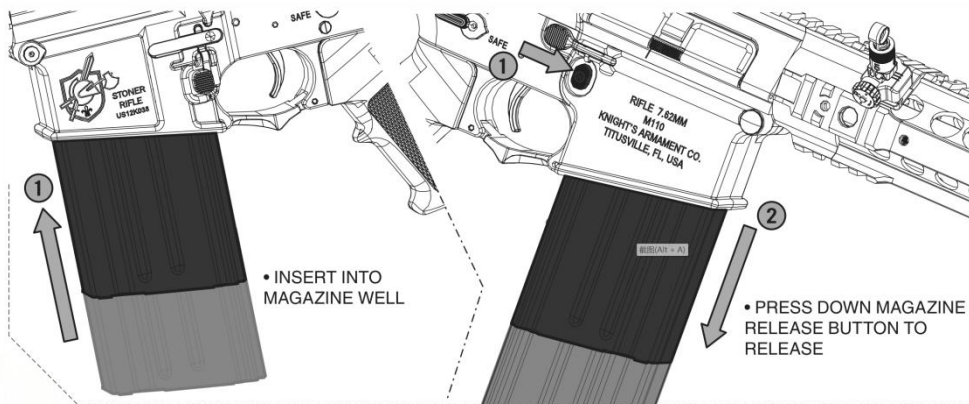
## SR-25 SERIES AEG VERSION



## 1- NAME OF PARTS



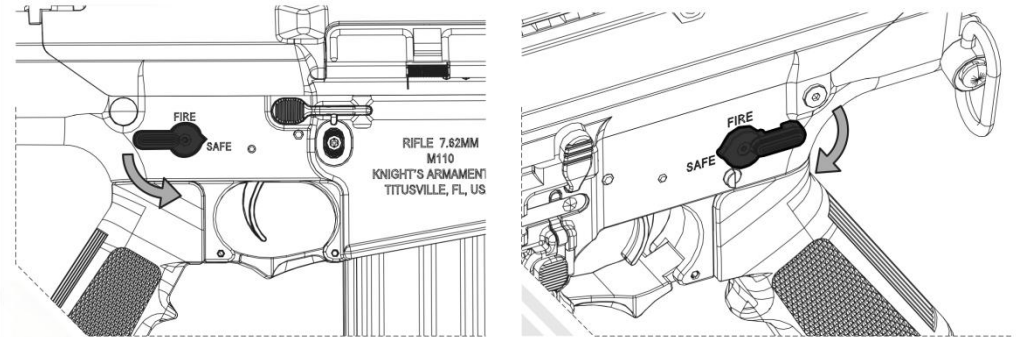
## 2- INSERT/RELEASE MAGAZINE



## 3- SWITCH FIRE MOD

**SAFE MODE:** FLIP SWITCH TO RIGHT  
**SEMI AUTO MODE:** FLIP SWITCH TO TOP  
**FULL AUTO MODE:** FLIP SWITCH TO LEFT

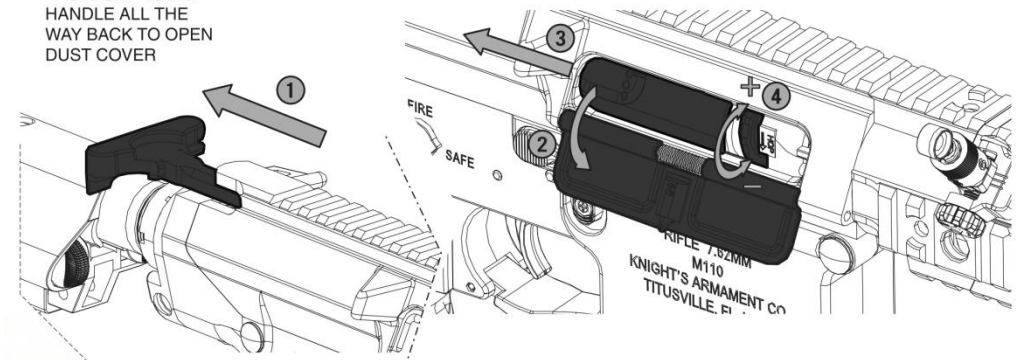
• AMBIDEXTROUS FIRE MODE SWITCH



## 4- HOP-UP ADJUSTMENT

• PULL CHARGING HANDLE ALL THE WAY BACK TO OPEN DUST COVER

• TURN WHEEL UP FOR MORE HOP-UP  
 • TURN WHEEL DOWN FOR LESS HOP-UP



## 5- BATTERY INSTALLATION

• PULL LEVER TO SLIDE BUTT STOCK BACKWARD

• CONNECT BATTERY WITH THE WIRE

